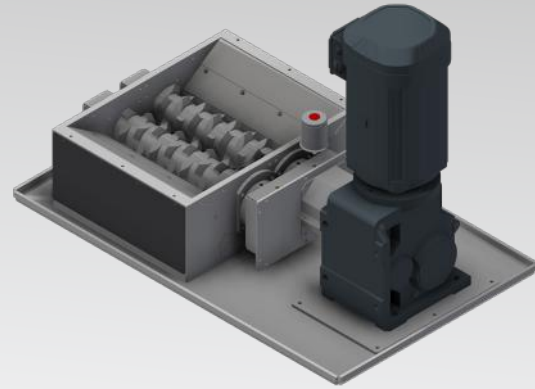




**ERDWICH**

... SHREDDING UNLIMITED ...

## ERDWICH TWO-SHAFT-SHREDDER M400/2-400



### Advantages and special features ERDWICH M400/2

#### ■ Simple maintenance:

- | Individually fitted, replaceable cutter discs on the cutter rotor

#### ■ Savings on operating costs:

- | Long service life guaranteed by cutters fully hardened to permit repeated re-sharpening

#### ■ Configurable throughput and particle size:

- | Configurable population of the cutter discs on the cutter rotor and individual perforated screen geometries
- | Optimal feed-in thanks to use of a special pressure angle for the cutters and optimum shredding results even at low speeds

#### ■ Moist material processing possible:

- | With externally placed shaft bearings and integrated bulkhead seals, no milled product or liquid materials can enter the bearings.

#### ■ Low-noise, low-dust operation:

- | Slow-running rotor

#### ■ Tailor-made plant, even where space is at a premium:

- | Custom cutter element models and a range of drive system options

#### ■ Efficient, safe operation:

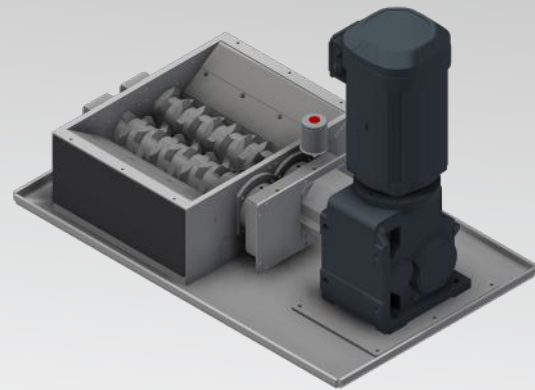
- | PLC unit featuring automated reverse and power cut-off to protect the machine against damage from overloading or solid parts



**ERDWICH**

... SHREDDING UNLIMITED ...

## ERDWICH TWO-SHAFT-SHREDDER M400/2-400



### Technical Data

Type	Number of shafts	Drive power in kW	Cutting unit size (LxW mm)	Weight (kg)	Diameter of punched sieve (mm)	Width of rotor knife (mm)
M400/2-400	2	2,2 - 4,0	400 x 500	300	6 - 20, 40	20

#### Dimensions:

	Dimension	M400/2-400
Cutting unit length	mm	404
Cutting unit width	mm	500
Cutting unit height	mm	195
Total length*	mm	1060
Total width*	mm	650
Total height*	mm	759

Subject to technical changes.

\*variable, depending on drive concept

